

# LMN EFSNK BN

## LEMON Tap Range Lemon Easyfit Sink Mixer Brushed Nickel



### Specification

|  |                                   |
|--|-----------------------------------|
| <b>Product Type:</b>                     | Kitchen Tap                       |
| <b>Main Construction Material:</b>       | Brass                             |
| <b>Mount Type:</b>                       | Deck Mounted                      |
| <b>Handle Type:</b>                      | Lever Handle                      |
| <b>Connection Inlet:</b>                 | 1/2" BSP Flexible Tails           |
| <b>Connection Outlet:</b>                | M18.5 Coin-Slot Aerator           |
| <b>Number of Tap Holes:</b>              | 1                                 |
| <b>Valve/Cartridge Type:</b>             | 35mm Cartridge                    |
| <b>Plumbing System Requirements:</b>     | Suitable for all plumbing systems |
| <b>Minimum Dynamic Pressure:</b>         | 0.3 Bar                           |
| <b>Maximum Dynamic Pressure:</b>         | 5.0 Bar                           |
| <b>Maximum Hot Water Temperature: °C</b> | 60                                |
| <b>Maximum Static Pressure: (bar)</b>    | 10                                |
| <b>Flow Type:</b>                        | Single Flow                       |
| <b>Isolation Included:</b>               | Yes                               |
| <b>Check Valve Supplied:</b>             | Yes                               |

### Features:

- Long life ceramic cartridge for added durability and ease of use
- Metal fixing nut for added durability
- Easyfit base included
- Flexible tails included

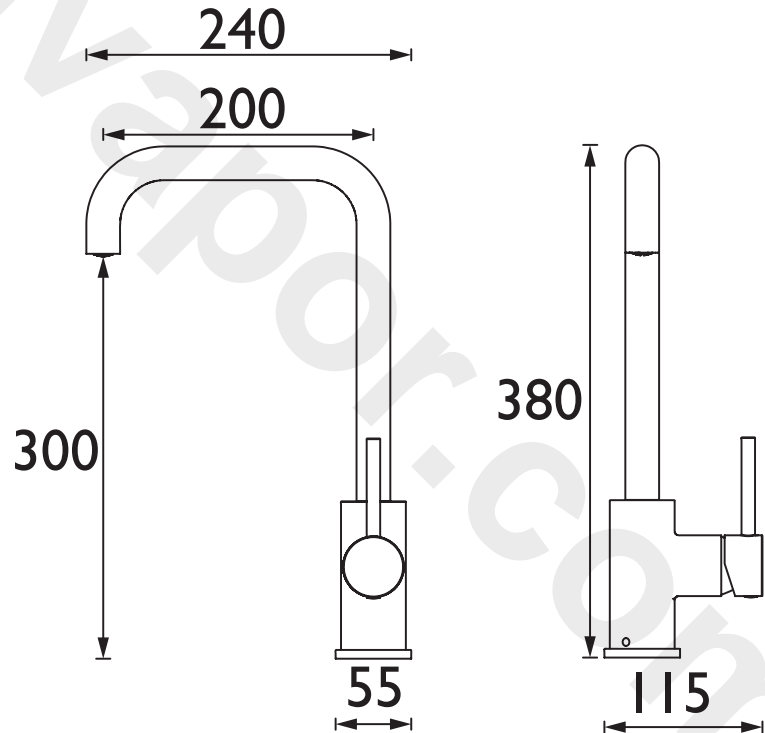
### Product Certifications:



WRAS Cert. Number: 1910904  
WRAS Expiry Date: 31/10/2024



### Dimensions (measurements in mm)



### Flow Rates (l/min)

| System Pressure (bar) | 0.3 | 0.5 | 1    | 2    | 3    | 5    |
|-----------------------|-----|-----|------|------|------|------|
| LMN EFSNK BN          | 8.8 | 9.3 | 13.2 | 18.6 | 22.8 | 29.4 |

For more products, visit our website:  
<http://www.bristan.com>



TECHNICAL  
DATA  
SHEET



**BRISTAN**

D6